

Technical Data

Specifications & Capacities

120|HT_{LB}

Telescopic Boom Truck Crane
120 US ton
110 metric ton



CAUTION: This material is supplied for reference use only. Operator must refer to in-cab Crane Rating Manual and Operator's Manual to determine allowable crane lifting capacities and assembly and operating procedures.

Table Of Contents

Boom, Attachments, and Upper Structure	1
Boom	1
Boom Wear Pads	1
Boom Head	1
Boom Elevation	1
Auxiliary Lifting Sheave – Optional	1
Heavy Duty Lifting Sheave Package – Optional	1
Hook Blocks and Balls – Optional	1
Fly – Optional	1
Fly Extensions – Optional	1
Upper Operator’s Cab and Controls	2
Swing	3
Electrical	3
Load Hoist System	3
Load Hoist Performance	3
Main and Auxiliary Winches	3
Hydraulic System	4
Counterweight	4
Carrier	6
General	6
Outriggers	6
Steering and Axles	6
Suspension	6
Tires and Wheels	6
Brakes	6
Electrical	6
Engine	6
Transmission	6
Carrier Speeds and Gradeability	7
Fuel Tank	7
Hydraulic System	7
Pump Drive	7
Lower Cab and Controls	8
Additional Equipment	8
Transport Scenarios – Axle Loads	9
General Dimensions	10
EPA 2021	10
Working Range Diagram	11
Main Boom + 9.5’ Fly	11
Main Boom + Attachments	12

Boom Extend Modes	13
Main Boom Lift Capacity Charts	14
16,000 lb Counterweight — Fully Extended Outriggers — 360° Rotation	14
36,500 lb Counterweight — Fully Extended Outriggers — 360° Rotation	15
49,100 lb Counterweight — Fully Extended Outriggers — 360° Rotation	16
Main Boom + Offset Fly Lift Capacity Charts	17
16,000 lb Counterweight — Fully Extended Outriggers — 360° Rotation	17
Main Boom Length + 9.5 ft Manual Offset Fly (0°, 15°, 30°, 45°, Offset)	17
36,500 lb Counterweight — Fully Extended Outriggers — 360° Rotation	18
Main Boom Length + 9.5 ft Manual Offset Fly (0°, 15°, 30°, 45°, Offset)	18
49,100 lb Counterweight — Fully Extended Outriggers — 360° Rotation	19
Main Boom Length + 9.5 ft Manual Offset Fly (0°, 15°, 30°, 45°, Offset)	19
16,000 lb Counterweight — Fully Extended Outriggers — 360° Rotation	20
196.87 ft Main Boom Length	20
35 ft Manual Offset Fly	20
36,500 lb Counterweight — Fully Extended Outriggers — 360° Rotation	21
196.87 ft Main Boom Length	21
35 ft Manual Offset Fly	21
58 ft Manual Offset Fly	21
49,100 lb Counterweight — Fully Extended Outriggers — 360° Rotation	22
196.87 ft Main Boom Length	22
35 ft Manual Offset Fly	22
58 ft Manual Offset Fly	22

Boom, Attachments, and Upper Structure

■ Boom

Design —Seven section, formed construction of extra high tensile steel consisting of one base section and six telescoping sections. The two plate design of each section has multiple longitudinal bends for superior strength. Each telescoping section extends independently by means of one double-acting, single stage hydraulic cylinder with integrated holding valves.

Boom

- 39.8–196.9 ft (*12.1–60.0m*) seven section boom
- Integral boom dolly connection
- Eight boom extend modes (EM1 through EM8), controlled from the operator's cab, provide superior capacities by varying the extension of the telescoping sections:
 - EM1 extends to 196.9 ft (*60.0m*)
 - EM2 extends to 184.9 ft (*56.4m*)
 - EM3 extends to 172.5 ft (*52.6m*)
 - EM4 extends to 159.6 ft (*48.6m*)
 - EM5 extends to 146.3 ft (*44.6m*)
 - EM6 extends to 120.5 ft (*36.7m*)
 - EM7 extends to 93.9 ft (*28.6m*)
 - EM8 extends to 81.0 ft (*24.7m*)
- Mechanical boom angle indicator
- Maximum tip height for each extend mode is:
 - EM1 is 205 ft (*62.5m*)
 - EM2 is 193 ft (*58.8m*)
 - EM3 is 181 ft (*55.2m*)
 - EM4 is 168 ft (*51.2m*)
 - EM5 is 155 ft (*47.2m*)
 - EM6 is 130 ft (*39.6m*)
 - EM7 is 103 ft (*31.4m*)
 - EM8 is 91 ft (*27.7m*)
- Maximum fly tip height for each size is:
 - 9.5' Fly Max is 213 ft (*64.9m*)
 - 35' Fly Max is 239 ft (*72.8m*)
 - 58' Fly Max is 263 ft (*80.2m*)
- Wear pads with teflon inserts that self-lubricate the boom sections
- Bottom wear pads are universal for all boom sections
- Top wear pads are universal for all boom sections

Boom Head

- Five 16.5 in (*41.9cm*) root diameter nylon sheaves to handle up to ten parts of line
- Easily removable wire rope guards
- Rope dead end lugs on each side of the boom head
- Boom head is designed for quick-reeve of the hook block
- Wind speed indicator
- Aviation obstruction marking light and flag

Boom Elevation

- One double acting hydraulic cylinder with integral holding valve
- Boom elevation: -3° to 80°

Auxiliary Lifting Sheave – Optional

- Single 16.5 in (*41.9cm*) root diameter nylon sheave
- Easily removable wire rope guards
- Does not affect erection of the fly or use of the main head sheaves

Heavy Duty Lifting Sheave Package – Optional

- Necessary to achieve greater than 12 parts of line lifts
- Two 16.5 in (*41.9cm*) root diameter nylon sheaves
- Easily removable wire rope guards
- Does not affect use of the main head sheaves or auxiliary lifting sheave
- Cannot be used when fly is erected

Hook Blocks and Balls – Optional

- 27 ton (*25mt*) 1 sheave quick-reeve hook block with safety latch
- 60 ton (*55mt*) 3 sheave quick-reeve hook block with safety latch
- 90 ton (*82mt*) 5 sheave quick-reeve hook block with safety latch
- 140 ton (*127mt*) 7 sheave quick-reeve hook block with safety latch
- 10 ton (*9mt*) swivel hook ball with safety latch

Fly – Optional

- 9.5 ft–35 ft (*2.9m–10.7m*) two piece lattice fly, stowable, offsettable to 0° , 15° , 30° , and 45° . Maximum tip height is 239 ft (*72.8m*).
- 9.5 ft–35 ft–58 ft (*2.9m–10.7m–17.7m*) three piece lattice fly, stowable, offsettable to 0° , 15° , 30° , and 45° . Maximum tip height is 263 ft (*80.2m*).
- 35 ft (*10.7m*) one piece fly, one piece
- 35 ft–58 ft (*10.7m–17.7m*) two piece fly

■ Upper Operator's Cab and Controls

Environmental Cab – Fully enclosed, one person cab of tubular and sheet steel structure with formed plastic interior panels.

Equipped with:

- Tinted and tempered glass windows
- Extra—large fixed front window with time delayed windshield wiper and washer
- Swing up roof window with windshield wiper and washer
- Sliding left side door with large fixed window
- Sliding right side window and pop—out rear window for ventilation
- Six way adjustable, cushioned seat with seat belt and storage compartment
- Diesel fired warm—water heater with ten air ducts for front windshield defroster and cab floor
- Air Conditioning – Integral with cab heating system utilizing the same ventilation outlets and automatic temperature control (ATC)
- Adjustable sun screen
- Dome lights with red nighttime reading LED's
- Cup holder
- Fire extinguisher
- Two position travel swing lock
- AM/FM Bluetooth radio

Armrest Controls – Two dual axis electronic joystick controllers or optional single axis electronic controllers for:

- Swing hoist
- Boom hoist
- Main (front) winch
- Auxiliary (rear) winch – optional
- Winch high/low speed switch(es)
- Warning horn button
- Swing park brake switch
- Engine throttle lock switch
- Engine set/resume switch
- Cab tilt
- Counterweight removal

Foot Controls

- Boom telescope
- Swing brake
- Engine throttle

Upper Right Console – Controls and indicators for:

- Engine ignition
- Engine stop
- Function lockout
- Front windshield wiper and washer
- Cab lights and upper frame lights
- Horn
- Dome light with switch
- E—stop switch
- Radio
- DRI on/off selection
- HVAC controller
- 360 swing lock – optional
- Boom floodlights
- Rotating beacon/Strobe light
- Top hatch wiper washer
- Winch(es) disable
- Engine indicator gauge

Rear Right Side Panel

- 12V accessory outlet (10amp)
- USB charge port

Camera Display – Located on the right A—post with an adjustable mount

- Displays right side of upper
- Displays main and auxiliary winches

Diagnostic Center – Located on the right rear wall behind the seat.

- Engine diagnostic
- RCL CANBUS diagnostic
- Boom CANBUS diagnostic
- Outrigger CANBUS diagnostic

Fuse & Relay Panel – Located on the left rear wall behind the seat.

Link-Belt Pulse 2.0 – The Link-Belt in-house designed, total crane operating system that utilizes a 10 in touch screen color display with integrated RCL and engine data, advanced diagnostics and systems monitoring, Wi-Fi capable for remote software updates, operator customizable, and a readout and operator interface for the following systems:

- **Rated capacity limiter** – LCD graphic audio – visual warning system integrated into the dash with anti – two block and function limiter. Operating data includes:
 - RCL controller USB diagnostic
 - Crane configuration
 - Boom length and angle
 - Boom head height
 - Allowed load and percent of allowed load
 - RCL light bar
 - Boom angle
 - Radius of load
 - Actual load
 - Wind speed
 - Highlighted unit of measurement on working screen
 - Telescope operation displayed in real time
 - Outrigger position sensing
 - Drum rotation direction indication
 - Third wrap indicator
 - Diagnostics
 - Counterweight detection system
 - Operator settable alarms (include):
 - Maximum and minimum boom angles
 - Maximum tip height
 - Maximum boom length
 - Swing left/right positions
 - Operator defined area (imaginary plane)
- **Cab Instrumentation**
 - Tachometer
 - Engine water temperature
 - Fuel level
 - Hydraulic oil temperature
 - Stop engine
 - Check engine
 - Wait to start
 - Diesel exhaust fluid (DEF) level
 - Engine air filter high restriction light
 - Regeneration light
 - Regeneration inhibit switch
 - Regeneration initiate switch
 - High exhaust temperature light
 - Regeneration disabled light
 - Swing park brake light
 - Engine speed
 - Engine oil pressure
 - Battery voltage
 - Fuel rate (gal/hr)
 - Engine load
 - Engine diagnostics
- **Telematics** – Cellular based data logging and monitoring system that provides:
 - Location and operational settings
 - Routine maintenance
 - Crane and engine monitoring
 - Diagnostic and fault codes

■ Swing

Motor/Planetary – Bi-directional, hydraulic swing motor mounted to a planetary reducer for 360° continuous smooth swing at 1.9 rpm.

Swing Park Brake – 360°, electric over hydraulic, (spring applied/hydraulic released) multi-disc brake mounted on the speed reducer. Operated by a switch from the operator's cab.

Swing Brake – 360°, foot operated, speed reducing system with disc brake hold feature.

Swing Lock – Two-position swing lock (0° and 180°) operated from the operator's cab.

360° Positive Swing Lock – Optional – Meets New York City requirement.

■ Electrical

Swing Alarm – Audio warning device signals when the upper is swinging.

Lights

- Two working lights on front of the cab.
- One amber strobe beacon on top of the cab.
- Boom floodlight – Single – One high intensity floodlight mounted at the front portion of the boom base section. Adjustable to fixed positions.
- Boom floodlight – Dual – Two high intensity floodlights mounted at the front portion of the boom base section. Two adjustable to individual fixed positions.
- Boom floodlight package – Three high intensity floodlights mounted at the front portion of the boom base section. Two adjustable to individual fixed positions and one remote controlled.
- Work lighting package – Four high intensity work lights mounted on top of the operator's cab, the right side of the superstructure facing forward, on the upper work platform, and on the left side of the superstructure facing down.

■ Load Hoist System

Load Hoist Performance

Main (Rear) and Auxiliary (Front) Winches – 3/4 in (19mm) Rope										
Layer	Maximum Line Pull		Normal Line Speed		High Line Speed		Layer		Total	
	lb	kN	ft/min	m/min	ft/min	m/min	ft	m	ft	m
1	23,632	105.12	150	45.7	241	73.5	115	35.1	115	35.1
2	21,616	96.15	164	50.0	264	80.5	125	38.1	240	73.2
3	19,917	88.60	178	54.3	286	87.2	136	41.5	376	114.6
4	18,465	82.14	192	58.5	309	94.2	147	44.5	522	159.1
5	17,211	76.56	206	62.8	331	100.9	157	47.9	679	207.0
6	16,116	71.69	220	67.1	354	107.9	168	51.2	847	258.2

Wire Rope Application		in	mm	Type	lb	kg
Main (Rear) Winch	Standard	3/4	19	37x7, Category 1, E.E.I.P.S., Right Lang Lay, Galvanized (Type KC)	16,000	7 257.5
	Optional	3/4	19	34x7, Category 1, E.E.I.P.S., Right Lang Lay (Type YB)	16,000	7 257.5
	Optional	3/4	19	35x7, Category 1, E.E.I.P.S., Right Lang Lay (Type CC)	17,360	7 874.4
Auxiliary (Front) Winch	Standard	3/4	19	37x7, Category 1, E.E.I.P.S., Right Lang Lay, Galvanized (Type KC)	16,000	7 257.5
	Optional	3/4	19	34x7, Category 1, E.E.I.P.S., Right Lang Lay (Type YB)	16,000	7 257.5
	Optional	3/4	19	35x7, Category 1, E.E.I.P.S., Right Lang Lay (Type CC)	17,360	7 874.4

Main and Auxiliary Winches

- Axial piston (2-speed) motors driven through planetary reduction unit for positive control under all load conditions.
- Grooved lagging
- Power up/down mode of operation
- Hoist drum cable follower
- Drum rotation indicator
- Drum diameter: 15 in (38.1cm)
- Rope length:
 - Main: 800 ft (243.8m)
 - Auxiliary: 600 ft (182.9m)
- Maximum rope storage: 850 ft (259m)
- Terminator style socket and wedge

■ Hydraulic System

All circuits of the hydraulic system are pressure compensated.

Counterbalance Valves – All hoist motors, boom extend cylinders, and boom hoist cylinders are equipped with counterbalance valves to provide load lowering and to prevent accidental load drop if hydraulic power is suddenly reduced.

Hydraulic Oil Cooler – The carrier cooling package has an integrated hydraulic oil cooler. There is also an electric operated oil cooler in the upper for additional cooling capacity.

Boom Hoist Float Valves – For transporting the boom over the rear of the crane with a boom dolly. Allows hydraulic oil within the boom hoist cylinder to flow between piston side and case side, allowing the boom to float while on the boom dolly.

Swing Brake Release – For transporting the boom over the rear of the crane with a boom dolly. Holds the 360° swing park brake in the released position allowing free rotation of the upper structure.

■ Counterweight

Standard – Total of 16,500 lb (7.4t) of total counterweight consisting of four, hydraulically removable counterweights. Assembled and disassembled by hydraulic cylinders controlled from the operator's cab with capacities for:

- 0 lb (0t) counterweight
- 4,000 lb (1.8t) counterweight
- 8,000 lb (3.6t) counterweight
- 12,000 lb (5.4t) counterweight
- 16,000 lb (7.2t) counterweight

Optional – 20,000 lb (9t) in addition to standard counterweight for a total of 36,500 lb (16.4t) with additional capacities for:

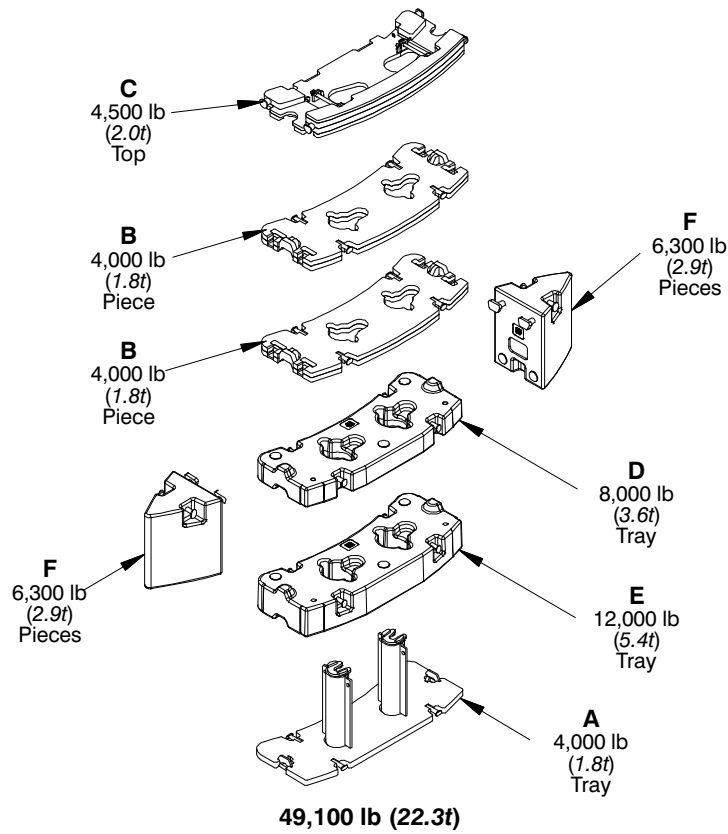
- 20,000 lb (9t) counterweight
- 24,000 lb (10.8t) counterweight
- 28,000 lb (12.7t) counterweight
- 32,500 lb (14.7t) counterweight
- 36,500 lb (16.4t) counterweight

Optional – 32,600 lb (14.8t) in addition to standard counterweight for a total of 49,100 lb (22.2t) with additional capacities for:

- 20,000 lb (9t) counterweight
- 24,000 lb (10.8t) counterweight
- 28,000 lb (12.7t) counterweight
- 32,000 lb (14.4t) counterweight
- 36,500 lb (16.4t) counterweight
- 49,100 lb (22.2t) counterweight*

Low speed jobsite travel is offered for these optional counterweight configurations and a boom dolly or boom trailer may be required for on-highway travel.

* Overall width of the crane increases to 13 ft 10.8 in (4.24m) for this counterweight configuration



Allowed Counterweight Combinations

0				
4,000 lb (1.8t)	A	C		
8,000 lb (3.6t)	AB	AC		
12,000 lb (5.4t)	ABB	ABC	AD	
16,000 lb (7.2t)	ABBC	ABD	AE	ACD
20,000 lb (9t)	ABBD	ABCD	ABE	ACE
24,000 lb (10.8t)	ABBE	ABCE	ABBCD	
28,000lb (12.7t)	ABBCE	ABDE	ACDE	
32,000lb (14.4t)	ABBDE	ABCDE		
36,500lb (16.4t)	ABBCDE			
49,100lb (22.2t)	ABBCDEFF			

Carrier

General

- 8 ft 6 in (2.6m) wide
- 23 ft 5.5 in (7.14m) wheelbase (centerline of first axle to centerline of fourth axle)
- **Frame** – Box–type, torsion resistant, welded construction made of high tensile steel. Equipped with front and rear towing and tie–down lugs, tow connections, and access ladders.

Outriggers

Boxes – Two double box, front and rear welded to the carrier frame.

Beams and Jacks – Four dual stage beams with Variable Confined Area Lifting Capacities (V–CALC) provide selectable outrigger extensions of full, intermediate, and retracted positions. 81 possible outrigger configurations. Jacks with integral check valves, hydraulically controlled from the operator’s cab and on both sides of carrier. A fifth front bumper outrigger 16 in (40.6cm) diameter, self–storing with integral check valves is hydraulically controlled from the upper operator’s cab and at the front bumper of carrier.

Pontoons

- **Main** – Four lightweight, stow’n go, 23.5” x 27.25” (59.7 x 69.2cm) hexagonal steel pontoons with a contact area of 443 in² (2 858cm²) can be stored for road travel in either the storage racks on the carrier or under the outrigger boxes
- **Front Bumper** – One, lightweight, self–storing, 16” (40.6cm) diameter steel pontoon with a contact area of 199 in² (1 284cm²)

Jack Reaction

- **Main** – 122,000 lb (542.7kN) force and 276 psi (1 903kPa) ground bearing pressure
- **Front Bumper** – 40,000 lb (177.9kN) force and 201 psi (1 386kPa) ground bearing pressure

Steering and Axles

- Dual gear steering system provides hydraulic assisted steering with mechanical link between steering wheel and wheels
- **Drive** – 8 x 4 for on/off–highway travel
- **Axle 1 & 2** – Tandem steered, non–driven
- **Axle 3 & 4** – Tandem non–steered, driven with reduction: 5.38 to 1
- **Inter–Axle Differential Lock** – Locks axle 3 with axle 4. Operated by a switch from the carrier cab.
- Cross axle lock on axles 3 and 4

Suspension

Front – Independent air suspension

Rear – Independent air suspension

Tires and Wheels

Front – Four (single) 445/65R22.5 tires on aluminum disc wheels

Rear – Eight (dual) 315/80R22.5 tires on aluminum disc wheels

- Spare tires and wheels – optional
- Tire inflation kit – optional

Brakes

Service – Full air anti–lock (ABS) disc brakes on all wheel ends. Dual circuit compressed air system with air dryer.

Parking/Emergency – Spring loaded type, acting on 3rd and 4th axles automatically apply when air pressure drops below 60 psi (413.7kPa) in both circuits.

Electrical

Battery – Four batteries provide 24 volt starting and operation, easily accessible battery disconnects, and battery charging posts.

Lights

- Front lighting includes two main daytime running/headlights, two high beam lights, two parking/directional indicators, and three cab marker lights.
- Side lighting includes three parking/directional indicators per side.
- Rear lighting includes two parking/directional indicators, two parking/brake lights, two reverse lights, three marker lights, and a license plate light.
- Other equipment includes hazard/warning system, LED light, instrument panel light, signal horn, carrier cab door courtesy light, and two outrigger LED lights on each side.
- One amber strobe beacon behind the cab
- Compartment lighting inside storage boxes, outrigger control boxes, and fuel fill.

Engine

Specification	Cummins X12
Emissions Compliance Level:	EPA On Highway
Maximum Allowable Sulfur Content of Fuel (PPM):	15
Numbers of cylinders:	6
Cycle:	4
Bore and Stroke: inch (mm)	5.2 x 5.67 in (132 x 144mm)
Piston Displacement: in ³ (L)	720 (11.8L)
Max. Brake Horsepower: hp (kW)	445 (339) @ 1,600 rpm 410 (306) @ 2,000 rpm
Peak Torque: ft lb (Nm)	1,550 (2 102) @ 1,200 rpm
Alternator: volts – amps	12 – 145
Crankcase Capacity: qt (L)	48 (45.4)
<ul style="list-style-type: none"> • Cruise control • Cummins X12 three stage engine compression brake • Thermostatically controlled, hydraulically driven radiator fan • 120 volt engine block heater – X12 • Ether injection system – optional on X12 • Grid heater starting aid standard on X12 • Engine equipped with on-board diagnostics – X12 	
<p>(1) Can only be sold and/or operated where EPA on–highway emission standards are accepted.</p>	

Transmission

Automated – ZF TRAXON (no clutch pedal) manual transmission with 12 forward gears and 2 reverse gears.

Carrier Speeds and Gradeability

ZF Traxon		Governed Speed		Gradeability (At Peak Torque Except Creep at Idle)	
		EPA			
Gear	Ratio	mph	km/h	EPA	
12th	0.77	61	98	1.6	
11th	1.00	47	76	2.5	
10th	1.30	36	58	3.7	
9th	1.68	28	45	5.1	
8th	2.19	22	35	6.9	
7th	2.83	17	27	9.2	
6th	3.53	13	22	11.7	
5th	4.57	10	17	15.4	
4th	5.94	8	13	20.2	
3rd	7.69	6	10	26.3	
2nd	9.98	5	8	34.4	
1st	12.92	4	6	44.7	
Reverse 1		4	6	41.6	
Reverse 2		5	8	32.0	
Creep at idle	2nd	9.98	2	3	17.4
	1st	12.92	1	2	22.7
	Reverse 1	12.03	1	2	21.1
	Reverse 2	9.29	2	3	16.1

Based on a gross vehicle weight of 107,250 lb (48 647.8kg)

Fuel Tank

- One 95 gal (359.6L) capacity tank
- One 10 gal (37.8L) capacity diesel exhaust fluid (DEF) plastic tank (EPA)

Hydraulic System

All functions are hydraulically powered allowing positive, precise control with independent or simultaneous operation of all functions.

Main Pumps

- Two variable displacement load sense piston pumps that drive the boom hoist, boom extend, winches, and the cooling package fan. One piston pump is engine driven to allow boom and winch operation during pick and carry operations.
- One fixed displacement gear pump for steering
- One fixed displacement gear pump for swing operation
- One fixed displacement gear pump for the outriggers and the upper air conditioner and counterweight removal circuits
- Combined pump capacity of 168 gpm (635.9Lpm)

Hydraulic Reservoir – 128 gal (484.5L) capacity equipped with sight level gauge. Diffusers built in for deaeration.

Filtration – One 10 micron, full flow, return line filter. All oil is filtered prior to return to reservoir. Accessible for easy filter replacement.

Pump Drive

All pumps are mechanically driven by the diesel engine. Main and auxiliary winches, swing, boom hoist, control circuit, and telescope pumps are mounted to an automatic pump disconnect on the rear of the transmission to aid in cold weather starting as well as to reduce pump wear while traveling.

■ Lower Cab and Controls

Environmental Cab – Fully enclosed, single occupancy cab of aluminum and composite construction with acoustic insulation. Equipped with:

- Tinted and tempered glass windows
- Power left door windows for ventilation
- Intermittent windshield wiper and washer
- Six way adjustable and air suspended heated and ventilated driver's seat with seat belt
- Electrically adjustable side view mirrors with passenger infrared camera
- Engine dependent warm–water heater with air ducts for chest/face, foot, and windshield defroster
- Adjustable sun visor
- LED dome lights
- Fire extinguisher

Air Conditioning – Integral with cab heating system utilizing the same ventilation outlets

- Automatic temperature control

Overhead Console – Located above the sun visor

- AM/FM Bluetooth radio
- Dome light switch
- 12V accessory power outlet

Camera Display – Integrated with right side LCD display

- Displays right side of machine
- Displays rear view
- Displays dolly rear view

Cab Instrumentation – Ergonomically positioned instrumentation for driving including:

- Digital speedometer with odometer, hour meter, trip meter, clock and outside temperature.
- Tachometer
- Fuel and diesel exhaust fluid (DEF) level with warning indicator

Indicator Lights

- Regeneration inhibit
- Check engine
- Stop engine
- Exhaust regeneration
- High exhaust temperature
- Engine air filter high restriction light
- Cruise
- Park brake
- Tire pressure warning
- ABS
- Trailer ABS
- Engine brake level
- Transaxle (cross–axle) differential lock
- Inter–axle differential lock
- Travel mode
- Ride height
- Diesel Exhaust Fluid (DEF)
- Seat belt
- Hill hold start

Dash Mounted Controls For:

- Carrier lights
- Console dimmer switch
- Remote mirror control switches
- Mirror heating switch
- Cab heater/air conditioning switch
- Fresh/Recirculation air switch
- Park brake air valve
- Trailer brake air valve
- Carrier engine ignition switch

Dash Mounted Indicators For:

- Turn signal indication
- High beam headlights

Right Side LCD Display – Ergonomically positioned on the right of driver's dash panel, digital instrumentation and indicators for crane operations including:

- Transmission digital readout
- **Gauges**
 - Engine water temperature
 - Engine oil pressure

Diagnostic Screens

- Engine
- Aftertreatment
- Outriggers
- Tire Pressure Monitoring Screen (TPMS)

Right Side Console – Controls and indicators for:

- Transmission gear shifting
- Diesel particulate filter switch
- Regeneration inhibit switch
- Fan override switch
- ABS Traction control switch
- Transaxle (cross–axle) differential lock switch with indicator light
- Inter–axle differential lock switch with indicator light
- Travel mode switch
- Ride height switch
- Hill hold start switch

Steering Column/Wheel Controls For:

- Turn signal switch
- High beam switch
- Tilt/telescope adjustments
- Cruise Control
- Engine brake control
- Warning horn
- Hazard light switch
- Intermittent windshield wiper and washer

Foot Controls For:

- Carrier service brakes
- Engine throttle

■ Additional Equipment

Standard:

- Aluminum full deck fenders with mud flaps
- Left and right bubble levels
- Air hose connection ports
- Clearance flags
- Five storage compartments
 - Storage compartment behind carrier cab
 - Left and right side ladders
 - Storage box between axles 3 and 4 on the left and right sides
- Pneumatic and electrical quick disconnect connectors mounted on the rear for trailer or boom dolly brakes and lights
- Wireless rigging remote control with digital inclinometer – controls outrigger beams, jacks, boom hoist, main and auxiliary winch.

Optional:

- Rear mounted pintle hook
- Bumper Mounted Oversize Load Sign

Transport Scenarios – Axle Loads



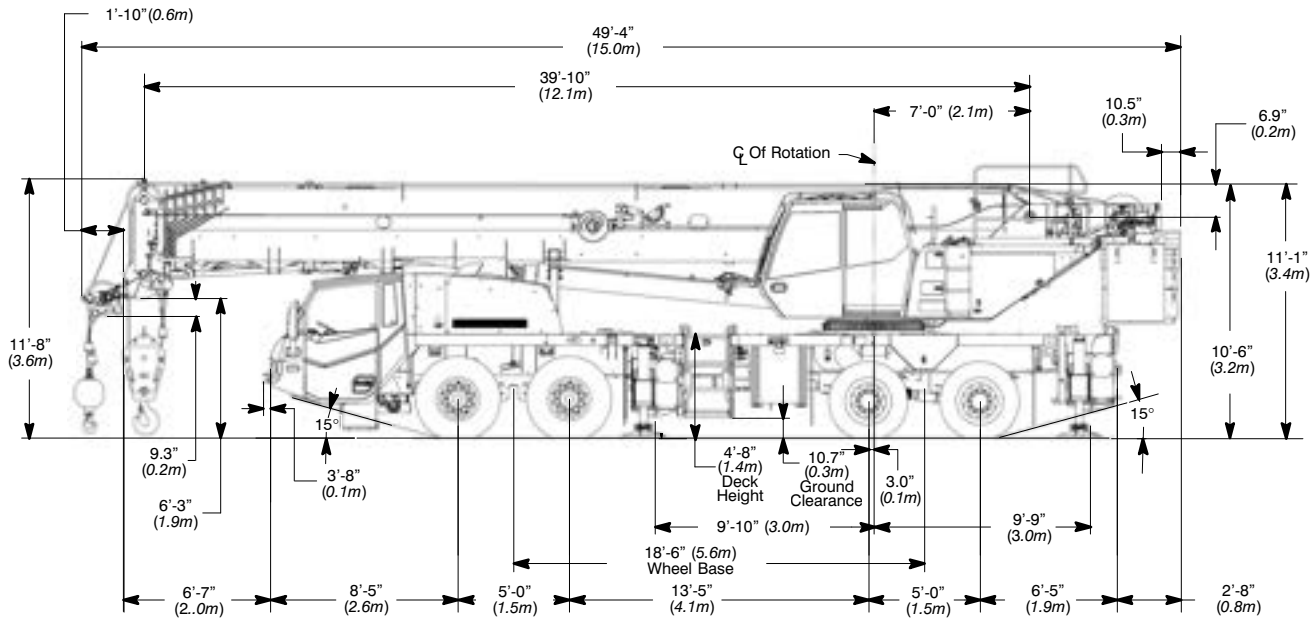
Base crane: Includes: 250 lb driver, oversize load signs, two winches with cable followers, 800' wire rope on main winch, 600' wire rope on auxiliary winch, no counterweight, 35-58' two piece offset fly, auxiliary lifting sheave, 60 T hook block, 10 T hookball, and 500 lb rigging		Gross Vehicle Weight		Front Tandem		Rear Tandem	
		lb	kg	lb	kg	lb	kg
		94,920	43,056	49,381	22,399	45,539	20,656
Add	4,000 lb counterweight on carrier	4,000	1,814	3,108	1,410	892	404
	8,000 lb counterweight on carrier	8,000	3,629	6,217	2,820	1783	809
	4,000 lb counterweight on carrier rear	4,000	1,814	-1,607	-729	5,607	2,543
	4,500 lb counterweight on upper	4,500	2,041	-2,400	-1,089	6,900	3,130
Substitute	9.5'-35'-58' 3 piece offset fly	3,167	1,437	3,471	1,574	-304	-138
Remove	35-58' 2 piece offset fly	-2,636	-1,196	-2,711	-1,230	-75	-34
	60 T hook block	-1,500	-680	-1,961	-890	811	368
	10 T hookball	-584	-265	-1020	-463	436	198



Base crane: Includes: 250 lb driver, oversize load signs, two winches with cable followers, 800' wire rope on main winch, 600' wire rope on auxiliary winch, no counterweight, 35-58' two piece offset fly, auxiliary lifting sheave, 60 T hook block, 10 T hookball, 500 lb rigging, and 9,000 lb 3-axle close couple dolly. (Boom extended 2' in travel mode)		Gross Vehicle Weight		Front Tandem		Rear Tandem		Dolly	
		lb	kg	lb	kg	lb	kg	lb	kg
		103,955	47,153	31,540	14,306	38,464	17,447	33,951	15,400
Add	36,500 lb of counterweight (28,500 lb on dolly, 8,000 lb on carrier)	36,500	16,556	6,217	2,820	1,783	809	28,500	12,928
	16,500 lb of counterweight (8,500 lb on dolly, 8,000 lb on carrier)	16,500	7,484	6,217	2,820	1,783	809	8,500	3,856
Substitute	9.5'-35'-58' 3 piece offset fly	3,167	1,437	325	147	323	147	2,519	1,143
Remove	35-58' 2 piece offset fly	-2,636	-1,196	-323	-146	321	146	-1,992	-904
	60 T hook block	-1,500	-680	249	113	248	112	-1,997	-906
	10 T hookball	-584	-265	97	44	97	44	-778	-353

General Dimensions

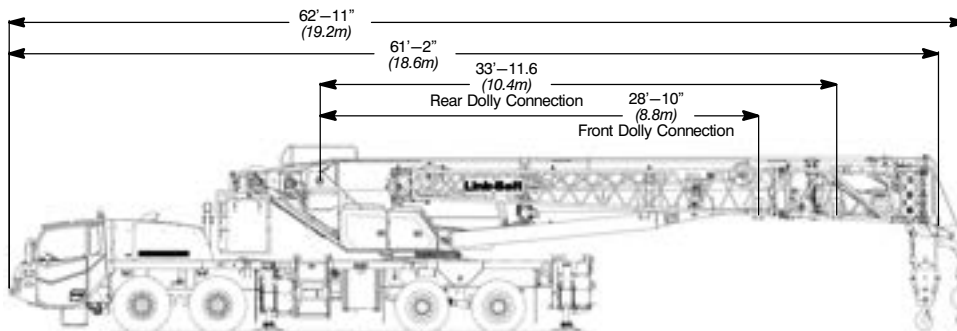
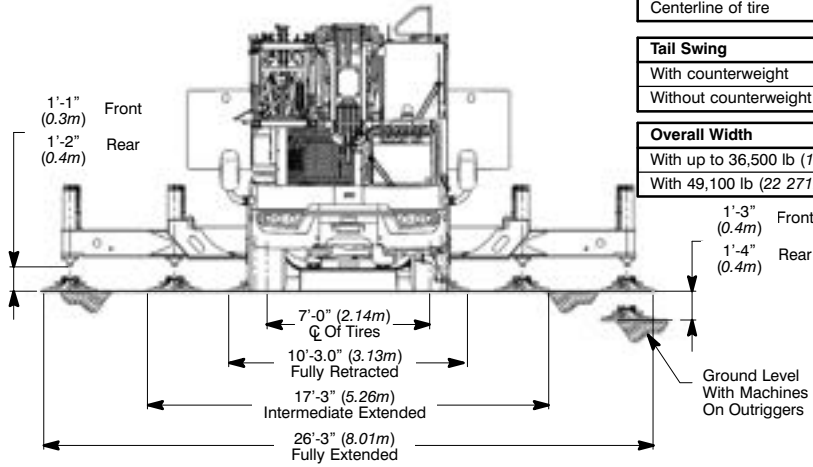
EPA 2021



Turning Radius	English	Metric
Wall to wall over carrier	49'-6.5"	15.1m
Wall to wall over boom	51'-10.2"	15.8m
Wall to wall over boom attachment	52'-11.2"	16.1m
Curb to curb	44'-11.0"	13.7m
Centerline of tire	44'-0.9"	13.4m

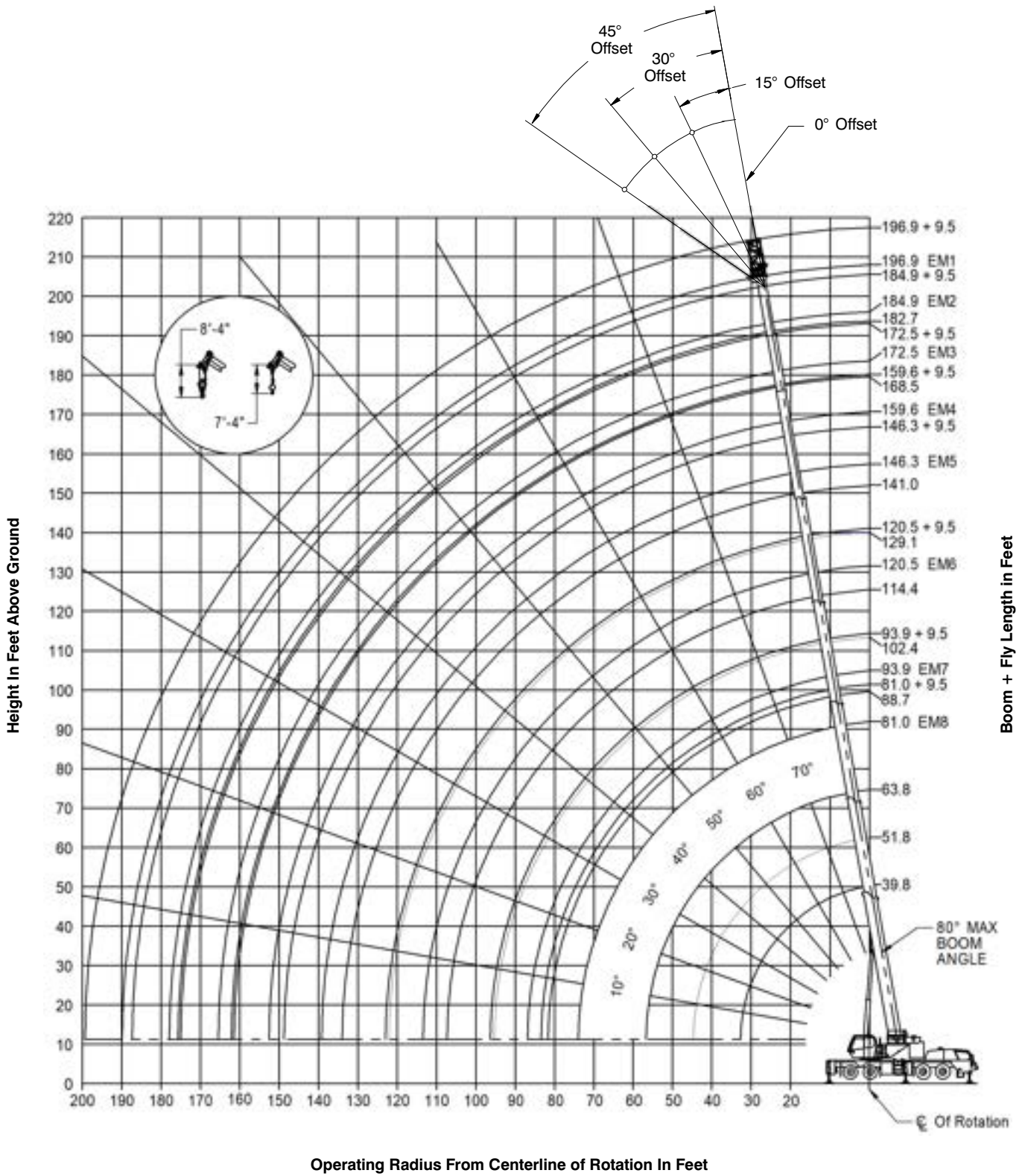
Tail Swing	English	Metric
With counterweight	13' 9"	4.2m
Without counterweight	13' 0"	4.0m

Overall Width	English	Metric
With up to 36,500 lb (16 556.1kg) counterweight	8' 6"	2.6m
With 49,100 lb (22 271.4kg) counterweight	13' 11"	4.2m

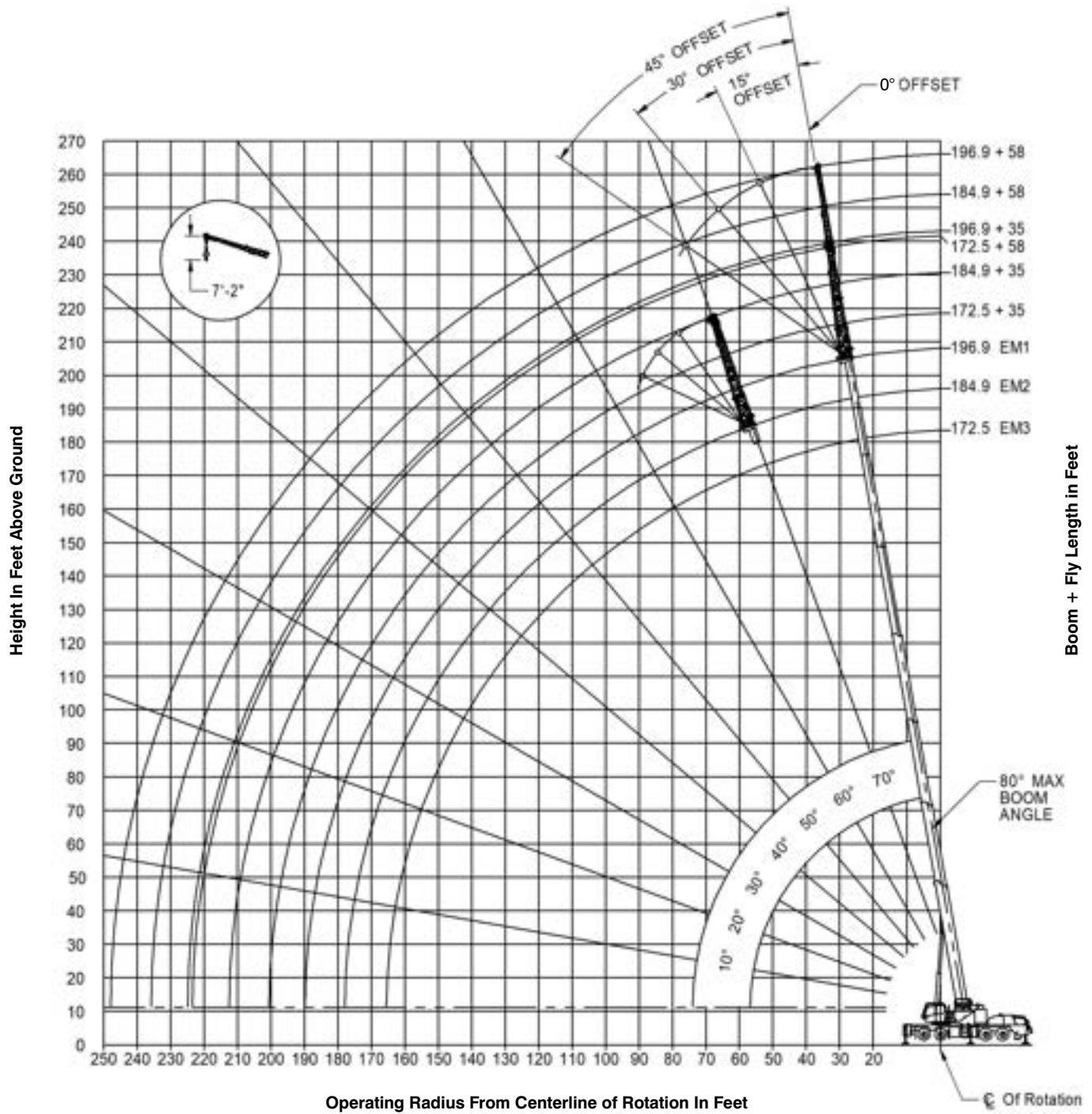


Not To Scale

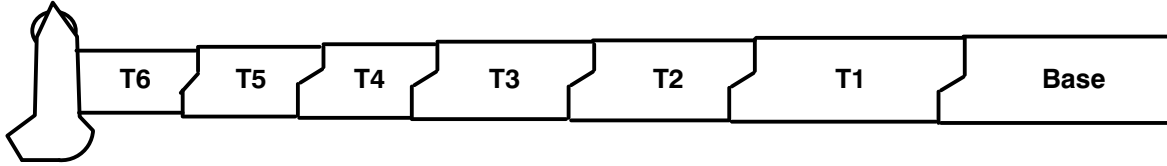
Working Range Diagram Main Boom + 9.5' Fly



Working Range Diagram Main Boom + Attachments



Boom Extend Modes



EM 1	Boom Length		Telescope Length					
	ft	m	T6	T5	T4	T3	T2	T1
	39.8	12.13						
63.8	19.44	100%						
88.7	27.03	100%	100%					
114.4	34.88	100%	100%	100%				
141.1	42.99	100%	100%	100%	100%			
168.5	51.37	100%	100%	100%	100%	100%		
182.7	55.69	100%	100%	100%	100%	100%	50%	
196.9	60.01	100%	100%	100%	100%	100%	100%	100%

EM 2	Boom Length		Telescope Length						
	ft	m	T6	T5	T4	T3	T2	T1	
	39.8	12.13							
51.8	15.79	50%							
76.7	23.37	50%	100%						
102.4	31.22	50%	100%	100%					
129.1	39.34	50%	100%	100%	100%				
156.5	47.72	50%	100%	100%	100%	100%			
170.7	52.04	50%	100%	100%	100%	100%	50%		
184.9	56.36	50%	100%	100%	100%	100%	100%	100%	

EM 3	Boom Length		Telescope Length					
	ft	m	T6	T5	T4	T3	T2	T1
	39.8	12.13						
51.8	15.79	50%						
64.2	19.58	50%	50%					
90.0	27.43	50%	50%	100%				
116.6	35.54	50%	50%	100%	100%			
144.1	43.92	50%	50%	100%	100%	100%		
158.3	48.24	50%	50%	100%	100%	100%	50%	
172.5	52.56	50%	50%	100%	100%	100%	100%	

EM 4	Boom Length		Telescope Length						
	ft	m	T6	T5	T4	T3	T2	T1	
	39.8	12.13							
51.8	15.79	50%							
64.2	19.58	50%	50%						
77.1	23.51	50%	50%	50%					
103.7	31.62	50%	50%	50%	100%				
131.2	40.00	50%	50%	50%	100%	100%			
145.4	44.32	50%	50%	50%	100%	100%	50%		
159.6	48.64	50%	50%	50%	100%	100%	100%		

EM 5	Boom Length		Telescope Length					
	ft	m	T6	T5	T4	T3	T2	T1
	39.8	12.13						
51.8	15.79	50%						
64.2	19.58	50%	50%					
77.1	23.51	50%	50%	50%				
90.4	27.56	50%	50%	50%	50%			
104.2	31.75	50%	50%	50%	50%	50%		
117.9	35.94	50%	50%	50%	50%	100%		
132.1	40.26	50%	50%	50%	50%	100%	50%	
146.3	44.58	50%	50%	50%	50%	100%	100%	

EM 6	Boom Length		Telescope Length						
	ft	m	T6	T5	T4	T3	T2	T1	
	39.8	12.13							
52.3	15.93		50%						
65.1	19.85		50%	50%					
78.4	23.91		50%	50%	50%				
92.2	28.10		50%	50%	50%	50%			
106.4	32.42		50%	50%	50%	50%	50%		
120.5	36.74		50%	50%	50%	50%	100%		

EM 7	Boom Length		Telescope Length					
	ft	m	T6	T5	T4	T3	T2	T1
	39.8	12.13						
52.7	16.06			50%				
66.0	20.12			50%	50%			
79.7	24.30			50%	50%	50%		
93.9	28.62			50%	50%	50%	50%	

EM 8	Boom Length		Telescope Length						
	ft	m	T6	T5	T4	T3	T2	T1	
	39.8	12.13							
53.1	16.19				50%				
66.9	20.38				50%	50%			
81.0	24.70				50%	50%	50%		

Main Boom Lift Capacity Charts

16,000 lb Counterweight – Fully Extended Outriggers – 360° Rotation (All Capacities Are Listed In Pounds)														
Radius (ft)	Boom Length (ft)													Radius (ft)
	39.81	51.80-53.12	63.78-66.9	76.69-81.03	88.67-93.9	102.44-106.36	114.43-120.52	129.06-132.09	141.05-146.25	156.55-159.56	168.53-172.44	182.71-184.89	196.87	
10	166,000	165,100	161,200											10
12	142,700	142,900	140,400	133,700										12
15	113,700	115,900	114,200	111,800	92,500									15
20	82,900	85,900	85,800	86,100	83,300	65,300	44,700							20
25	63,600	66,900	68,000	67,900	67,400	65,300	51,300	37,700	20,300					25
30	47,000	51,800	54,800	55,600	55,500	54,600	50,500	37,700	31,000	24,900	12,600			30
35		39,600	42,000	42,800	42,700	41,900	41,300	37,700	31,000	24,900	20,000	12,700		35
40		30,900	33,300	34,200	34,100	34,000	32,700	32,800	30,900	24,900	20,000	12,700	10,500	40
45		24,100	27,100	28,000	28,000	27,900	28,300	26,800	26,300	24,900	20,000	12,700	10,500	45
50			22,300	23,300	23,900	23,300	23,600	23,200	22,500	21,700	20,000	12,700	10,500	50
55			18,600	19,700	20,200	19,600	20,000	20,600	19,800	19,500	17,400	12,700	10,500	55
60				17,100	17,200	17,600	17,100	17,600	16,500	16,600	14,700	12,700	10,500	60
65				14,700	15,100	15,700	15,100	15,400	15,900	14,400	13,500	12,700	10,500	65
70				12,200	13,900	13,600	14,100	13,300	14,000	12,300	12,600	11,500	10,500	70
75					12,100	11,900	12,700	11,600	12,200	10,600	11,200	10,400	9,700	75
80					10,600	10,400	11,200	10,100	10,700	9,100	9,700	8,900	8,200	80
85					5,900	9,000	9,900	8,800	9,400	7,800	8,400	7,600	7,000	85
90						7,900	8,700	7,700	8,300	6,700	7,300	6,500	5,900	90
95						6,900	7,700	6,700	7,300	5,700	6,300	5,600	4,900	95
100							6,800	5,800	6,400	4,900	5,400	4,700	4,100	100
105							6,000	5,000	5,600	4,100	4,700	3,900	3,300	105
110							2,400	4,300	4,900	3,400	4,000	3,200	2,600	110
115								3,600	4,300	2,800	3,300	2,600	2,000	115
120								3,000	3,700	2,200	2,800	2,000	1,400	120
125									3,100	1,700	2,200	1,500		125
130									2,700	1,200	1,800			130
135											1,300			135

This information is not for crane operation. Operator must refer to the in-cab information for crane operation. Rated lifting capacities shown on fully extended outriggers do not exceed 85% of the tipping loads and on tires do not exceed 75% of the tipping loads.

36,500 lb Counterweight – Fully Extended Outriggers – 360° Rotation														
(All Capacities Are Listed In Pounds)														
Radius (ft)	Boom Length (ft)												Radius (ft)	
	39.81	51.80-53.12	63.78-66.9	76.69-81.03	88.67-93.9	102.44-106.36	114.43-120.52	129.06-132.09	141.05-146.25	156.55-159.56	168.53-172.44	182.71-184.89		196.87
10	166,000	166,900	162,400											10
12	148,200	151,800	149,600	134,200										12
15	127,600	128,600	127,200	124,300	92,500									15
20	93,700	96,500	95,700	94,300	92,000	65,300	44,700							20
25	72,400	75,600	75,300	76,400	75,200	65,300	51,300	37,700	20,300					25
30	57,800	61,200	62,500	62,500	61,700	60,200	51,300	37,700	31,000	24,900	12,600			30
35		50,700	52,000	52,200	53,400	52,600	48,400	37,700	31,000	24,900	20,000	12,700		35
40		42,700	45,100	45,800	45,700	45,000	41,800	37,700	31,000	24,900	20,000	12,700	10,500	40
45		34,900	37,800	38,800	38,700	37,900	37,200	36,300	31,000	24,900	20,000	12,700	10,500	45
50			31,800	32,700	32,700	32,000	31,600	30,700	29,800	24,900	20,000	12,700	10,500	50
55			27,000	28,000	28,100	27,500	26,900	27,000	26,100	24,900	20,000	12,700	10,500	55
60				24,200	24,300	24,300	23,200	23,300	23,600	22,800	20,000	12,700	10,500	60
65				21,100	21,200	21,200	21,000	20,200	20,600	20,300	19,100	12,700	10,500	65
70				18,500	18,600	18,600	19,000	17,900	18,000	18,500	16,500	12,700	10,500	70
75					16,700	16,400	16,800	16,600	15,900	16,400	14,600	12,700	10,500	75
80					15,000	14,600	15,100	15,700	14,600	14,700	13,900	12,700	10,500	80
85					11,200	13,000	13,400	14,000	13,900	13,100	12,600	11,700	10,500	85
90						12,000	12,000	12,600	13,200	11,700	12,200	11,500	10,500	90
95						11,300	10,700	11,300	11,900	10,400	11,000	10,300	9,600	95
100							9,900	10,200	10,800	9,300	9,900	9,200	8,500	100
105							9,400	9,100	9,800	8,300	8,900	8,200	7,500	105
110							6,400	8,200	8,900	7,400	8,000	7,300	6,700	110
115								7,400	8,000	6,600	7,200	6,500	5,900	115
120								6,700	7,300	5,900	6,400	5,700	5,100	120
125									6,600	5,200	5,700	5,100	4,500	125
130									6,000	4,600	5,100	4,400	3,900	130
135									3,500	4,000	4,500	3,900	3,300	135
140										3,500	4,000	3,300	2,800	140
145										3,000	3,500	2,900	2,200	145
150											3,100	2,400	1,700	150
155											2,700	1,900	1,300	155
160											2,300	1,500		160
165												1,100		165

This information is not for crane operation. Operator must refer to the in-cab information for crane operation. Rated lifting capacities shown on fully extended outriggers do not exceed 85% of the tipping loads and on tires do not exceed 75% of the tipping loads.

49,100 lb Counterweight – Fully Extended Outriggers – 360° Rotation														
(All Capacities Are Listed In Pounds)														
Radius (ft)	Boom Length (ft)													Radius (ft)
	39.81	51.80-53.12	63.78-66.9	76.69-81.03	88.67-93.9	102.44-106.36	114.43-120.52	129.06-132.09	141.05-146.25	156.55-159.56	168.53-172.44	182.71-184.	196.87	
7	240,000													7
8	205,000													8
9	180,000													9
10	166,000	167,700	162,800											10
12	148,200	152,900	150,100	134,200										12
15	127,700	133,800	132,600	128,700	92,500									15
20	100,300	102,300	102,000	100,400	92,500	65,300	44,700							20
25	77,800	80,900	80,500	81,300	80,200	65,300	51,300	37,700	20,300					25
30	62,300	65,700	66,900	66,800	65,900	64,400	51,300	37,700	31,000	24,900	12,600			30
35		54,600	55,900	56,100	56,100	56,300	48,400	37,700	31,000	24,900	20,000	12,700		35
40		46,100	47,600	47,800	49,000	48,200	43,800	37,700	31,000	24,900	20,000	12,700	10,500	40
45		38,800	41,900	42,700	42,600	41,900	38,800	37,700	31,000	24,900	20,000	12,700	10,500	45
50			36,600	37,400	37,300	36,700	34,200	35,100	31,000	24,900	20,000	12,700	10,500	50
55			32,200	33,000	33,000	32,400	31,600	31,000	29,900	24,900	20,000	12,700	10,500	55
60				28,800	28,900	28,400	27,900	26,900	27,100	24,900	20,000	12,700	10,500	60
65				25,300	25,400	24,900	24,400	24,500	23,600	23,000	20,000	12,700	10,500	65
70				21,000	22,500	22,300	21,500	21,600	21,100	21,100	20,000	12,700	10,500	70
75					20,000	20,000	19,100	19,100	19,500	18,700	18,000	12,700	10,500	75
80					17,800	17,900	17,200	17,000	17,400	16,700	15,900	12,700	10,500	80
85					13,400	16,000	16,200	15,300	15,700	16,000	14,300	12,700	10,500	85
90						14,500	14,900	13,900	14,100	14,600	13,900	12,700	10,500	90
95						13,000	13,500	13,200	12,700	13,200	12,600	11,800	10,500	95
100							12,200	12,500	12,000	11,900	12,500	11,500	10,500	100
105							11,000	11,600	11,400	10,800	11,400	10,600	10,000	105
110							8,700	10,600	10,800	9,800	10,300	9,600	9,000	110
115								9,600	10,300	8,800	9,400	8,700	8,100	115
120								8,800	9,400	8,000	8,500	7,900	7,300	120
125									8,600	7,200	7,800	7,100	6,500	125
130									7,900	6,500	7,100	6,400	5,800	130
135									5,400	5,900	6,400	5,700	5,200	135
140										5,300	5,800	5,100	4,600	140
145										4,700	5,300	4,600	4,000	145
150											4,700	4,100	2,900	150
155											4,300	3,600	2,400	155
160											3,800	3,100	2,000	160
165												2,600	2,000	165
170												2,200	1,500	170
175													1,100	175

This information is not for crane operation. Operator must refer to the in-cab information for crane operation. Rated lifting capacities shown on fully extended outriggers do not exceed 85% of the tipping loads and on tires do not exceed 75% of the tipping loads.

Main Boom + Offset Fly Lift Capacity Charts

16,000 lb Counterweight — Fully Extended Outriggers — 360° Rotation (All Capacities Are Listed In Pounds)														
Radius (ft)	Main Boom + 9.5 ft Manual Offset Fly (0°, 15°, 30°, 45° Offset)													Radius (ft)
	Boom Length (ft)													
	39.81	51.80- 53.1	63.78- 66.9	76.69- 81.0	88.67- 93.9	102.44- 106	114.43- 120	129.06- 132	141.05- 146	156.55- 159	168.53- 172	182.71- 184	196.87	
10	43,500	44,500	45,200											10
12	42,500	43,700	44,400	44,800										12
15	41,100	42,500	43,400	43,900	44,000									15
20	38,000	40,500	41,900	42,600	42,800	42,700	34,900							20
25	35,600	38,100	40,000	41,300	41,700	41,600	41,200	29,600	12,800					25
30	34,700	36,200	38,100	39,600	40,400	40,400	40,400	29,600	25,500	14,800				30
35	34,000	34,700	36,600	37,900	38,600	38,800	37,600	29,600	25,500	21,000	13,200	9,800		35
40	30,100	32,000	32,700	32,600	33,700	32,800	32,100	29,600	25,500	21,000	13,200	10,900	9,000	40
45		26,000	27,600	28,000	27,700	27,400	26,100	26,100	24,100	21,000	13,200	10,900	9,000	45
50		21,900	23,000	23,300	23,000	22,800	23,000	21,500	21,600	19,700	13,200	10,900	9,000	50
55		17,400	19,400	19,700	19,400	19,200	19,400	19,100	18,200	16,200	13,200	10,900	9,000	55
60			16,500	16,800	17,000	16,300	16,500	16,900	15,500	14,600	13,200	10,900	9,000	60
65			14,200	14,600	14,700	14,600	14,300	14,700	13,100	13,100	12,000	10,900	9,000	65
70				12,900	12,700	13,200	12,600	12,700	12,800	11,500	10,700	10,000	9,000	70
75				11,200	11,300	11,500	11,700	10,900	11,500	9,800	10,300	9,500	8,800	75
80				8,100	10,500	10,000	10,600	9,400	10,000	8,300	8,900	8,100	7,400	80
85					9,200	8,700	9,300	8,200	8,700	7,100	7,600	6,800	6,100	85
90					8,100	7,600	8,200	7,100	7,600	6,000	6,500	5,700	5,000	90
95					2,100	6,600	7,200	6,100	6,600	5,000	5,500	4,700	4,000	95
100						5,800	6,300	5,200	5,700	4,100	4,600	3,900	3,200	100
105						3,900	5,500	4,400	4,900	3,400	3,900	3,100	2,400	105
110							4,800	3,700	4,200	2,700	3,200	2,400	1,800	110
115							4,200	3,100	3,600	2,100	2,600	1,800	1,100	115
120								2,600	3,000	1,500	2,000	1,200		120
125								2,100	2,500		1,500			125
130								1,600	2,100		1,000			130
135									1,600					135
140									1,300					140

This information is not for crane operation. Operator must refer to the in-cab information for crane operation. Rated lifting capacities shown on fully extended outriggers do not exceed 85% of the tipping loads and on tires do not exceed 75% of the tipping loads.

36,500 lb Counterweight – Fully Extended Outriggers – 360° Rotation														
(All Capacities Are Listed In Pounds)														
Radius (ft)	Main Boom + 9.5 ft Manual Offset Fly (0°, 15°, 30°, 45° Offset)													Radius (ft)
	Boom Length (ft)													
	39.81	51.80- 53.1	63.78- 66.9	76.69- 81.0	88.67- 93.9	102.44- 106	114.43- 120	129.06- 132	141.05- 146	156.55- 159	168.53- 172	182.71- 184	196.87	
10	43,500	44,500	45,200											10
12	42,500	43,700	44,400	44,800										12
15	41,100	42,500	43,400	43,900	44,000									15
20	38,000	40,500	41,900	42,600	42,800	42,700	34,900							20
25	35,600	38,100	40,000	41,300	41,700	41,600	41,200	29,600	12,800					25
30	34,700	36,200	38,100	39,600	40,400	40,400	40,400	29,600	25,500	14,800				30
35	34,000	34,700	36,600	38,100	39,000	39,200	39,400	29,600	25,500	21,000	13,200	9,800		35
40	34,000	34,600	35,200	36,700	37,700	38,100	38,400	29,600	25,500	21,000	13,200	10,900	9,000	40
45		33,900	34,700	35,400	36,200	35,100	34,600	26,200	25,500	21,000	13,200	10,900	9,000	45
50		30,900	31,500	31,400	30,600	31,700	31,000	29,600	25,500	21,000	13,200	10,900	9,000	50
55		25,800	26,900	27,200	27,800	27,000	26,400	26,300	24,500	21,000	13,200	10,900	9,000	55
60			24,100	24,400	24,100	23,300	22,700	22,600	21,700	20,900	13,200	10,900	9,000	60
65			21,100	21,300	21,000	20,800	19,700	19,600	19,800	17,900	13,200	10,900	9,000	65
70				18,800	18,500	18,300	17,900	17,100	17,300	15,600	13,200	10,900	9,000	70
75				16,700	16,400	16,100	16,300	15,100	15,300	14,500	13,200	10,900	9,000	75
80				13,600	14,600	14,400	14,600	13,900	13,500	13,100	12,000	10,900	9,000	80
85					13,000	12,800	13,000	13,200	12,100	12,300	11,500	10,900	9,000	85
90					12,100	11,400	11,600	12,000	11,400	10,900	10,600	9,800	9,000	90
95					6,900	10,200	10,300	10,700	10,800	9,700	10,200	9,400	8,700	95
100						9,200	9,200	9,600	10,100	8,600	9,100	8,300	7,700	100
105						8,100	8,300	8,600	9,100	7,600	8,100	7,300	6,700	105
110							7,500	7,800	8,200	6,700	7,200	6,500	5,800	110
115							7,100	7,000	7,400	5,900	6,400	5,700	5,000	115
120							4,700	6,200	6,700	5,200	5,700	4,900	4,300	120
125								5,600	6,000	4,500	5,000	4,300	3,600	125
130								5,000	5,400	3,900	4,400	3,700	3,000	130
135									4,900	3,400	3,800	3,100	2,500	135
140									4,400	2,900	3,300	2,600	1,900	140
145										2,400	2,900	2,100	1,400	145
150										1,900	2,400	1,600		150
155											2,000	1,100		155
160											1,600			160
165											1,200			165

This information is not for crane operation. Operator must refer to the in-cab information for crane operation. Rated lifting capacities shown on fully extended outriggers do not exceed 85% of the tipping loads and on tires do not exceed 75% of the tipping loads.

49,100 lb Counterweight – Fully Extended Outriggers – 360° Rotation														
(All Capacities Are Listed In Pounds)														
Radius (ft)	Main Boom + 9.5 ft Manual Offset Fly (0°, 15°, 30°, 45° Offset)													Radius (ft)
	Boom Length (ft)													
	39.81	51.80- 53.1	63.78- 66.9	76.69- 81.0	88.67- 93.9	102.44- 106	114.43- 120	129.06- 132	141.05- 146	156.55- 159	168.53- 172	182.71- 184	196.87	
10	43,500	44,500	45,200											10
12	42,500	43,700	44,400	44,800										12
15	41,100	42,500	43,400	43,900	44,000									15
20	38,000	40,500	41,900	42,600	42,800	42,700	34,900							20
25	35,600	38,100	40,000	41,300	41,700	41,600	41,200	29,600	12,800					25
30	34,700	36,200	38,100	39,600	40,400	40,400	40,400	29,600	25,500	14,800				30
35	34,000	34,700	36,600	38,100	39,000	39,200	39,400	29,600	25,500	21,000	13,200	9,800		35
40	34,000	34,600	35,200	36,700	37,700	38,100	38,400	29,600	25,500	21,000	13,200	10,900	9,000	40
45		33,900	34,700	35,600	36,600	37,000	37,400	29,600	25,500	21,000	13,200	10,900	9,000	45
50		33,900	34,300	34,700	35,300	34,200	33,100	29,600	25,500	21,000	13,200	10,900	9,000	50
55		26,300	32,000	31,900	31,200	30,700	29,400	29,600	25,500	21,000	13,200	10,900	9,000	55
60			27,900	27,700	27,800	28,000	27,300	26,300	25,500	21,000	13,200	10,900	9,000	60
65			24,500	25,000	25,300	24,500	23,900	22,900	22,900	21,000	13,200	10,900	9,000	65
70				22,700	22,400	21,600	21,000	21,000	20,100	19,300	13,200	10,900	9,000	70
75				20,300	19,900	19,200	18,600	18,500	18,400	16,900	13,200	10,900	9,000	75
80				17,000	17,900	17,600	16,500	16,400	16,700	15,000	13,200	10,900	9,000	80
85					16,000	15,800	14,800	14,800	15,000	14,200	13,200	10,900	9,000	85
90					14,500	14,300	13,800	13,200	13,400	13,100	12,000	10,900	9,000	90
95					9,600	12,900	13,000	11,800	12,000	12,400	11,700	10,900	9,000	95
100						11,700	11,800	11,200	10,800	11,200	10,600	9,800	9,000	100
105						10,600	10,700	10,600	9,800	10,100	10,500	9,800	9,000	105
110							9,700	9,900	9,300	9,100	9,500	8,800	8,100	110
115							8,800	9,200	8,800	8,200	8,600	7,900	7,200	115
120							6,600	8,400	8,400	7,300	7,800	7,100	6,400	120
125								7,600	8,000	6,600	7,000	6,300	5,700	125
130								6,900	7,400	5,900	6,300	5,600	5,000	130
135									6,800	5,300	5,700	5,000	4,300	135
140									6,200	4,700	5,100	4,400	3,700	140
145										4,200	4,600	3,900	3,100	145
150										3,700	4,100	3,300	2,600	150
155											3,600	2,800	2,100	155
160											3,200	2,300	1,600	160
165											2,700	1,900	1,200	165
170												1,500		170
175												1,100		175

This information is not for crane operation. Operator must refer to the in-cab information for crane operation. Rated lifting capacities shown on fully extended outriggers do not exceed 85% of the tipping loads and on tires do not exceed 75% of the tipping loads.

16,000 lb Counterweight – Fully Extended Outriggers – 360° Rotation (All Capacities Are Listed In Pounds)					
196.87 ft Main Boom Length					
Radius (ft)	35 ft Manual Offset Fly				Radius (ft)
	0°	15°	30°	45°	
50	5,800				50
55	5,800				55
60	5,800	6,000			60
65	5,800	6,000			65
70	5,800	6,000	6,600		70
75	5,800	6,000	6,600		75
80	5,800	6,000	6,600	7,100	80
85	5,800	6,000	6,600	7,100	85
90	5,500	6,000	6,600	7,100	90
95	4,600	5,500	6,200	6,800	95
100	3,700	4,500	5,200	5,800	100
105	2,900	3,700	4,400	4,900	105
110	2,200	3,000	3,600	4,000	110
115	1,600	2,300	2,800	3,300	115
120		1,700	2,200	2,600	120
125		1,100	1,600	1,900	125
130			1,100	1,400	130
135					135
140					140
145					145

This information is not for crane operation. Operator must refer to the in-cab information for crane operation. Rated lifting capacities shown on fully extended outriggers do not exceed 85% of the tipping loads and on tires do not exceed 75% of the tipping loads.

36,500 lb Counterweight — Fully Extended Outriggers — 360° Rotation (All Capacities Are Listed In Pounds)									
196.87 ft Main Boom Length									
Radius (ft)	35 ft Manual Offset Fly				58 ft Manual Offset Fly				Radius (ft)
	0°	15°	30°	45°	0°	15°	30°	45°	
50	5,800								50
55	5,800				4,000				55
60	5,800	6,000			4,000				60
65	5,800	6,000			4,000				65
70	5,800	6,000	6,600		4,000				70
75	5,800	6,000	6,600		4,000	4,200			75
80	5,800	6,000	6,600	7,100	4,000	4,200			80
85	5,800	6,000	6,600	7,100	4,000	4,200			85
90	5,800	6,000	6,600	7,100	4,000	4,200	4,800		90
95	5,800	6,000	6,600	7,100	4,000	4,200	4,800		95
100	5,800	6,000	6,600	7,100	4,000	4,200	4,800	5,000	100
105	5,800	6,000	6,600	7,100	4,000	4,200	4,800	4,900	105
110	5,800	6,000	6,600	7,100	4,000	4,200	4,800	4,900	110
115	5,500	6,000	6,600	7,100	4,000	4,200	4,800	4,800	115
120	4,700	5,300	5,900	6,200	4,000	4,200	4,800	4,800	120
125	4,100	4,600	5,100	5,400	4,000	4,200	4,800	4,800	125
130	3,400	4,000	4,400	4,700	4,000	4,200	4,800	4,700	130
135	2,900	3,400	3,800	4,100	3,400	4,200	4,800	4,700	135
140	2,300	2,800	3,200	3,500	2,900	3,700	4,400	4,700	140
145	1,800	2,300	2,700	2,900	2,400	3,200	3,800	4,300	145
150	1,300	1,800	2,200	2,400	1,900	2,700	3,300	3,700	150
155		1,300	1,600	1,800	1,400	2,200	2,800	3,200	155
160			1,100	1,300	1,000	1,700	2,300	2,700	160
165						1,300	1,800	2,200	165
170							1,400	1,700	170
175							900	1,200	175

This information is not for crane operation. Operator must refer to the in-cab information for crane operation. Rated lifting capacities shown on fully extended outriggers do not exceed 85% of the tipping loads and on tires do not exceed 75% of the tipping loads.

49,100 lb Counterweight – Fully Extended Outriggers – 360° Rotation (All Capacities Are Listed In Pounds)									
196.87 ft Main Boom Length									
Radius (ft)	35 ft Manual Offset Fly				58 ft Manual Offset Fly				Radius (ft)
	0°	15°	30°	45°	0°	15°	30°	45°	
50	5,800								50
55	5,800				4,000				55
60	5,800	6,000			4,000				60
65	5,800	6,000			4,000				65
70	5,800	6,000	6,600		4,000				70
75	5,800	6,000	6,600		4,000	4,200			75
80	5,800	6,000	6,600	7,100	4,000	4,200			80
85	5,800	6,000	6,600	7,100	4,000	4,200			85
90	5,800	6,000	6,600	7,100	4,000	4,200	4,800		90
95	5,800	6,000	6,600	7,100	4,000	4,200	4,800		95
100	5,800	6,000	6,600	7,100	4,000	4,200	4,800	5,000	100
105	5,800	6,000	6,600	7,100	4,000	4,200	4,800	4,900	105
110	5,800	6,000	6,600	7,100	4,000	4,200	4,800	4,900	110
115	5,800	6,000	6,600	7,100	4,000	4,200	4,800	4,800	115
120	5,800	6,000	6,600	7,100	4,000	4,200	4,800	4,800	120
125	5,800	6,000	6,600	7,100	4,000	4,200	4,800	4,800	125
130	5,400	5,900	6,400	6,700	4,000	4,200	4,800	4,700	130
135	4,800	5,300	5,700	6,000	4,000	4,200	4,800	4,700	135
140	4,200	4,600	5,000	5,300	4,000	4,200	4,800	4,700	140
145	3,600	4,100	4,400	4,600	4,000	4,200	4,800	4,600	145
150	3,000	3,500	3,900	4,100	3,600	4,200	4,800	4,600	150
155	2,500	3,000	3,300	3,500	3,100	3,800	4,400	4,600	155
160	2,000	2,400	2,800	2,900	2,600	3,300	3,900	4,200	160
165	1,600	2,000	2,200	2,400	2,100	2,800	3,400	3,700	165
170	1,100	1,500	1,800	1,900	1,700	2,400	2,900	3,200	170
175		1,100	1,300	1,400	1,300	1,900	2,400	2,700	175
180			900	1,000	900	1,500	1,900	2,200	180
185						1,100	1,500	1,700	185
190							1,100	1,300	190
195								900	195

This information is not for crane operation. Operator must refer to the in-cab information for crane operation. Rated lifting capacities shown on fully extended outriggers do not exceed 85% of the tipping loads and on tires do not exceed 75% of the tipping loads.

This page intentionally left blank

Link-Belt Cranes Lexington, Kentucky www.linkbelt.com

®Link-Belt is a registered trademark. Copyright 2023. We are constantly improving our products and therefore reserve the right to change designs and specifications.